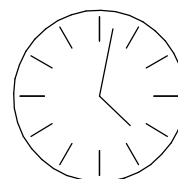
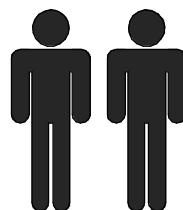
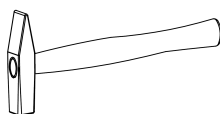
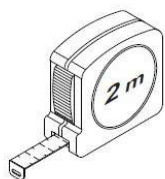
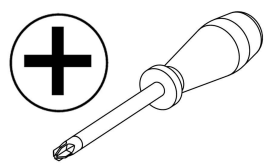
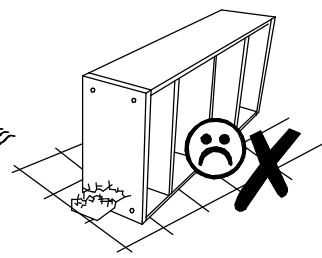
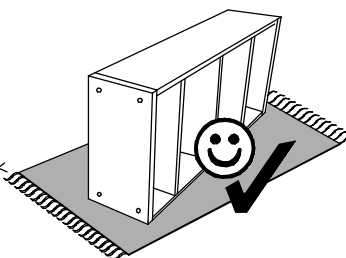
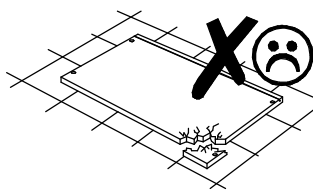
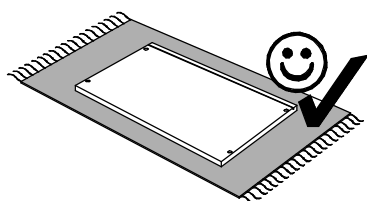
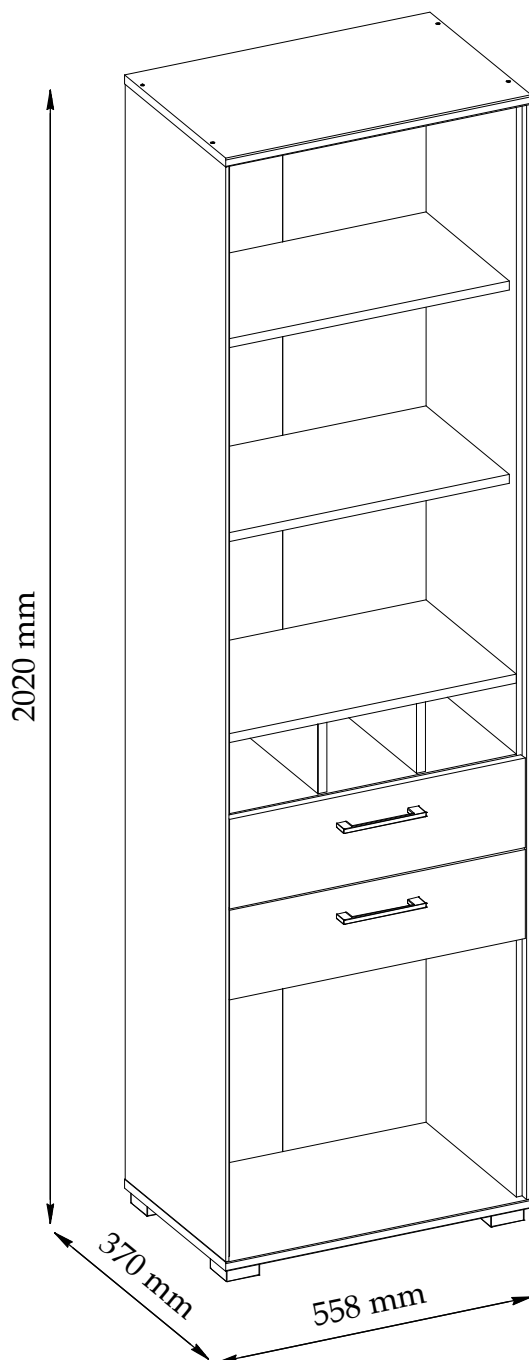
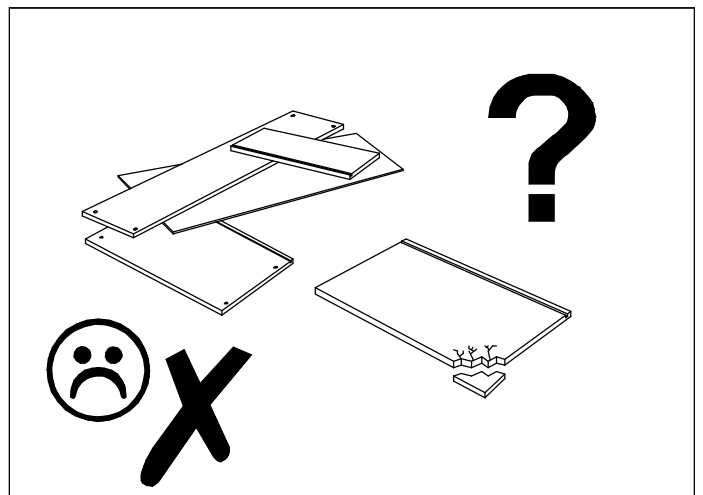
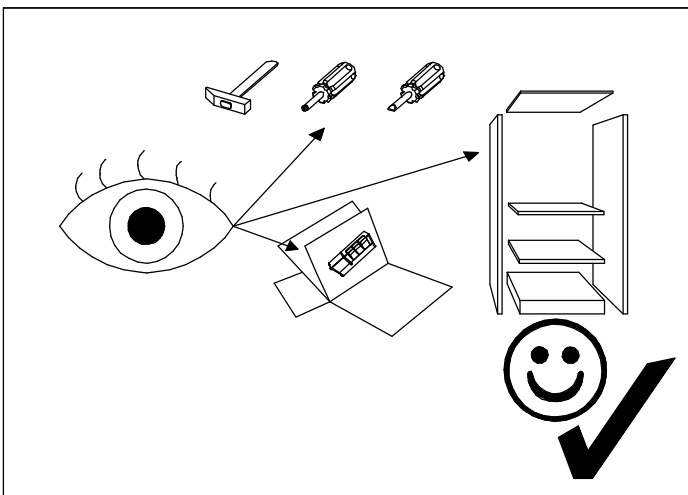
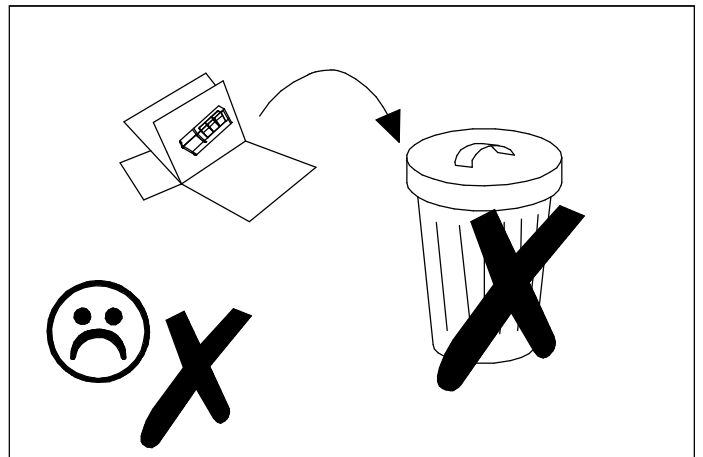
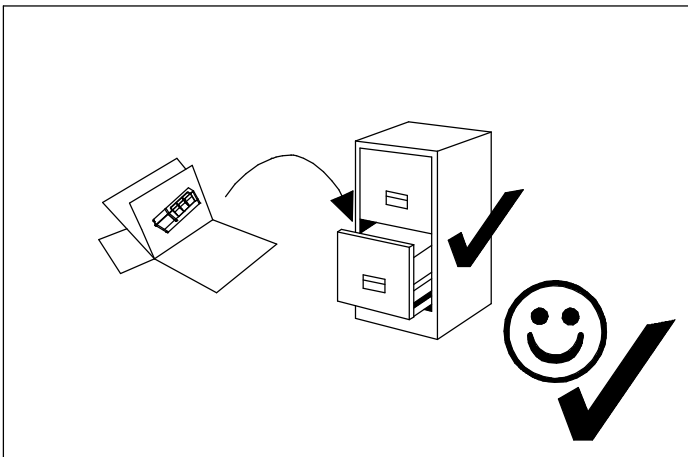
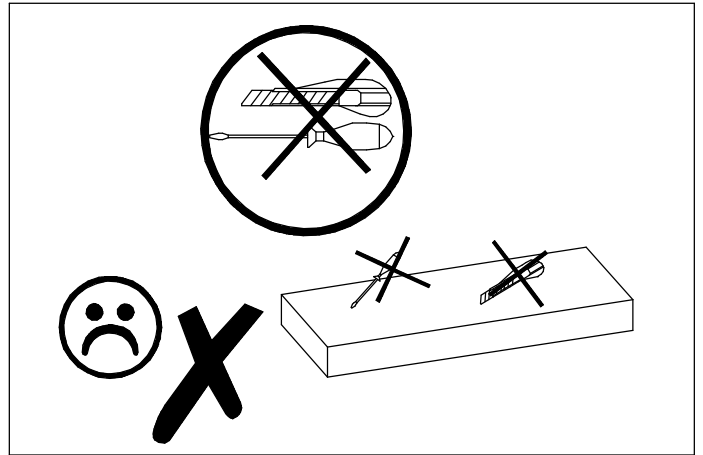
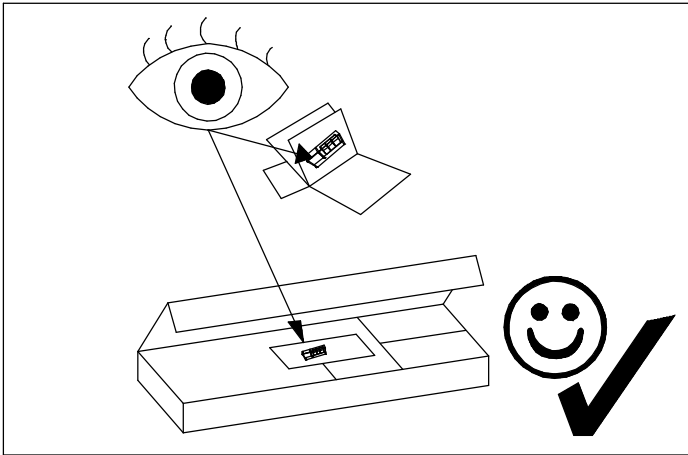


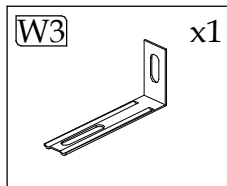
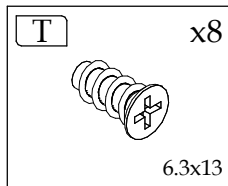
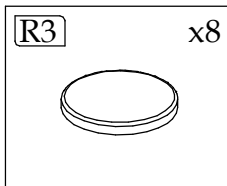
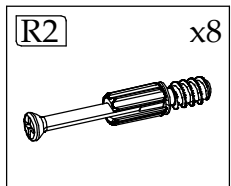
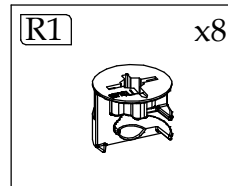
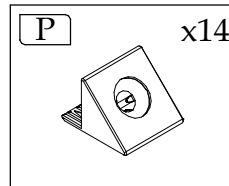
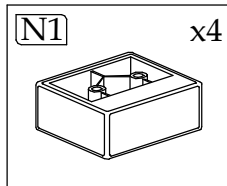
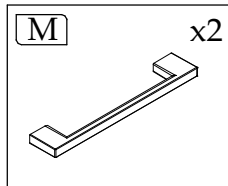
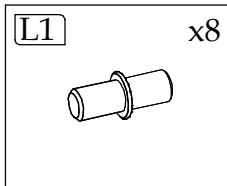
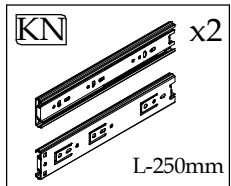
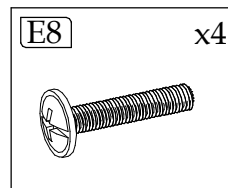
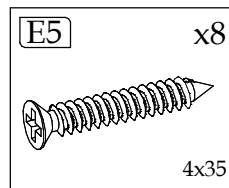
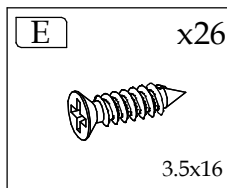
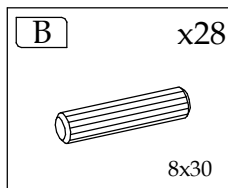
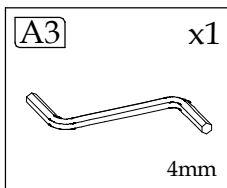
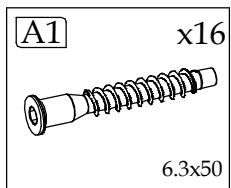
# KENDAL R



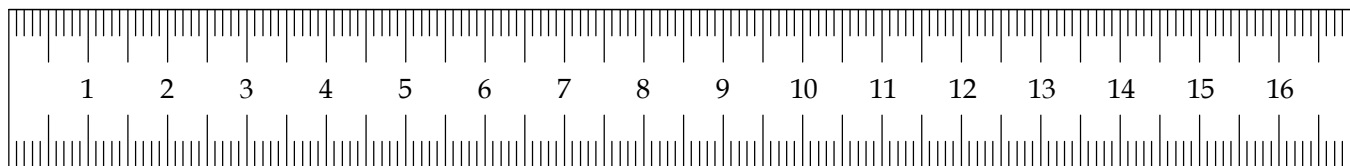
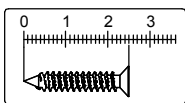
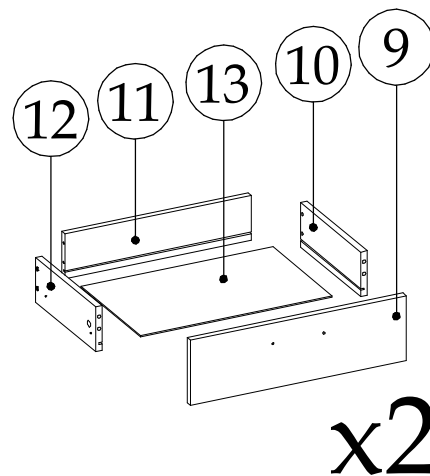
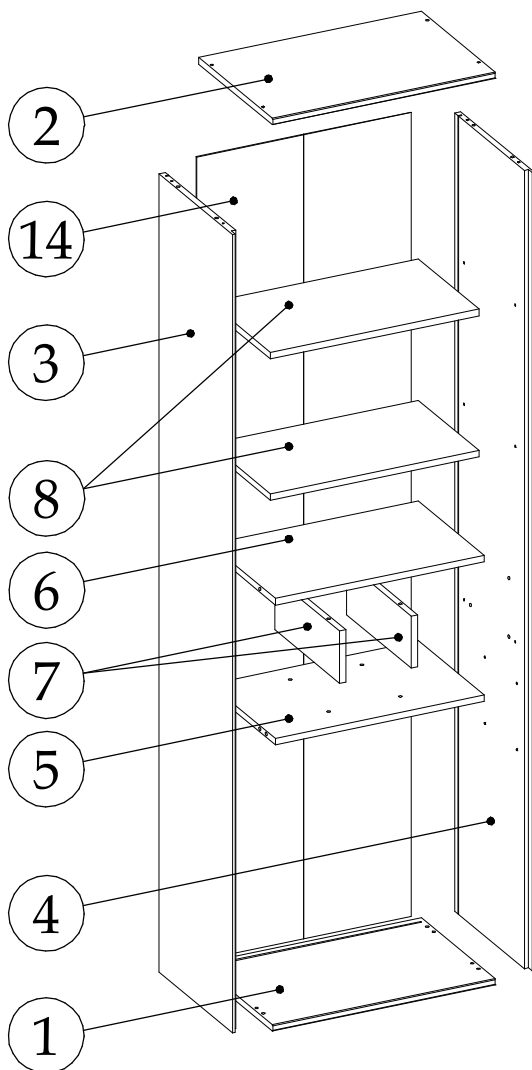
100 min





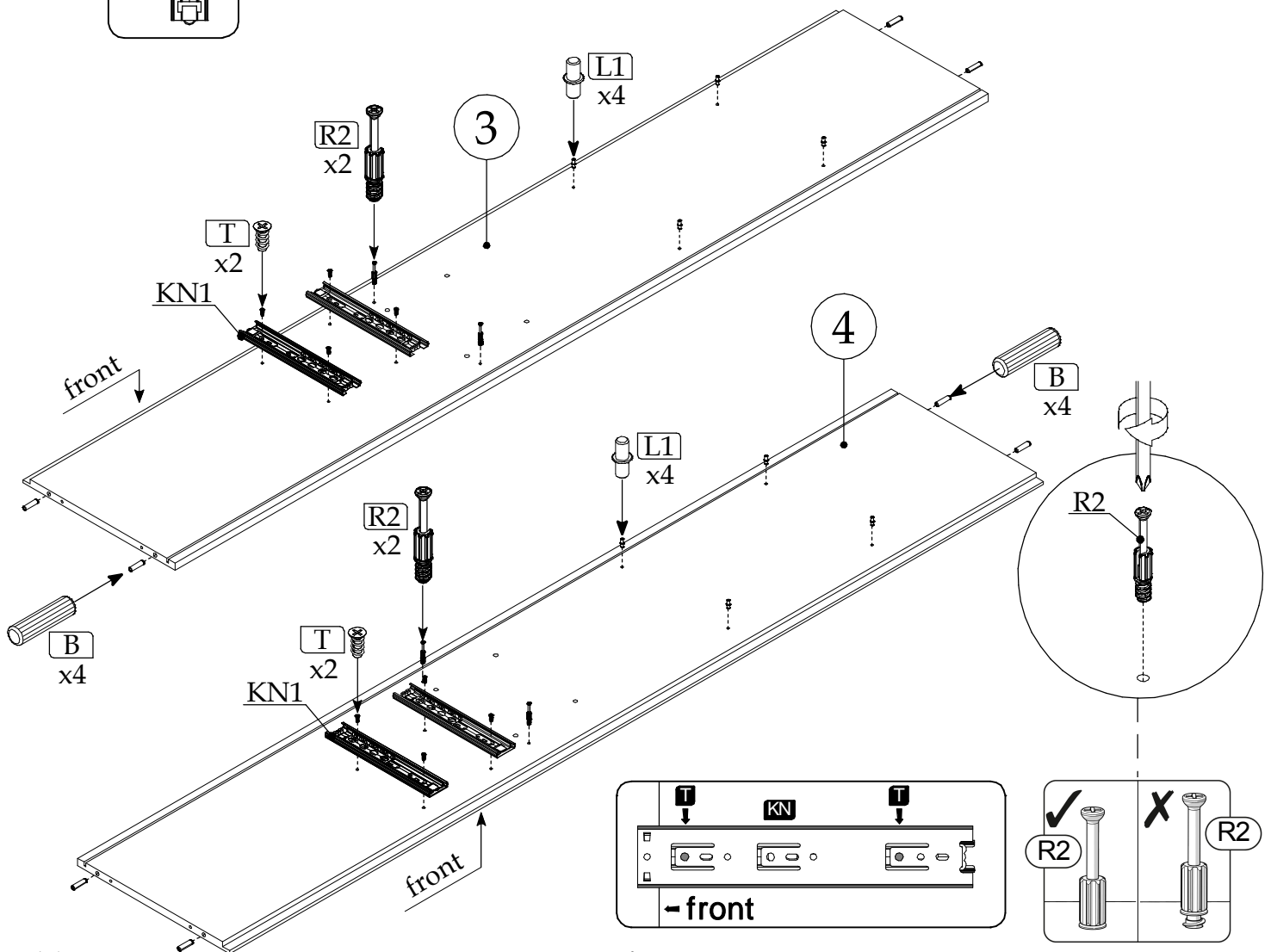
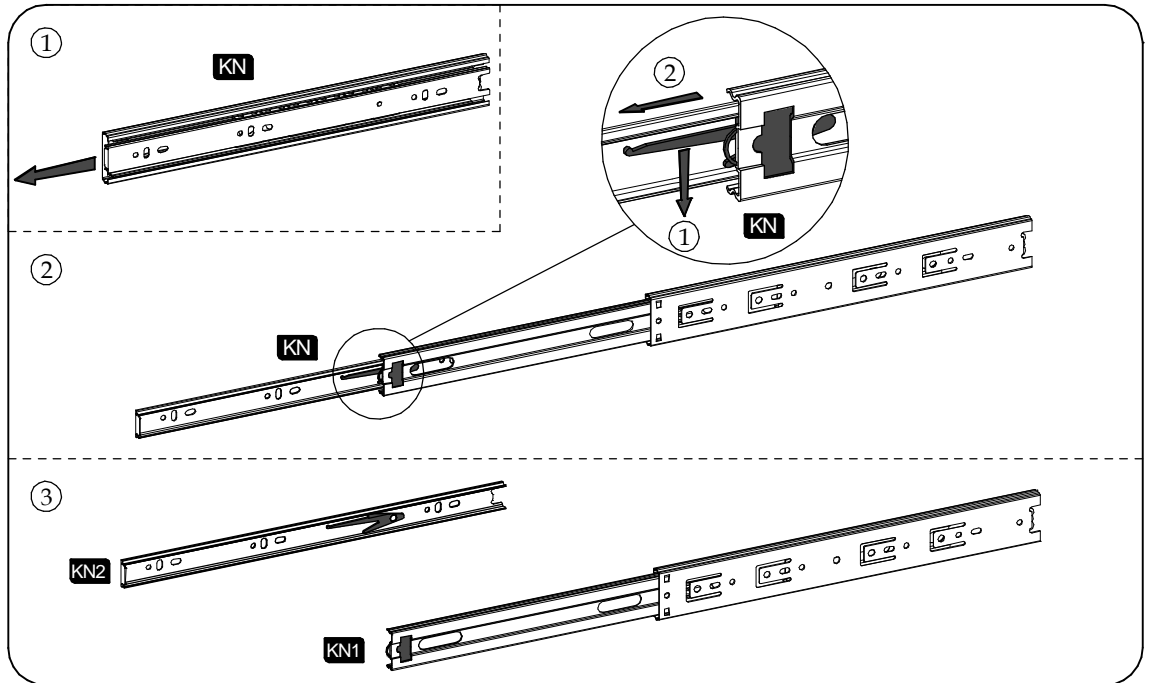
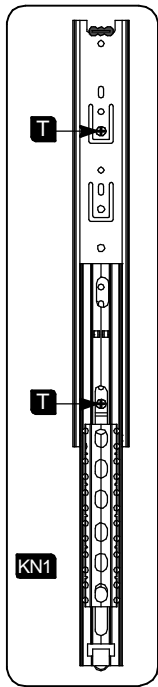


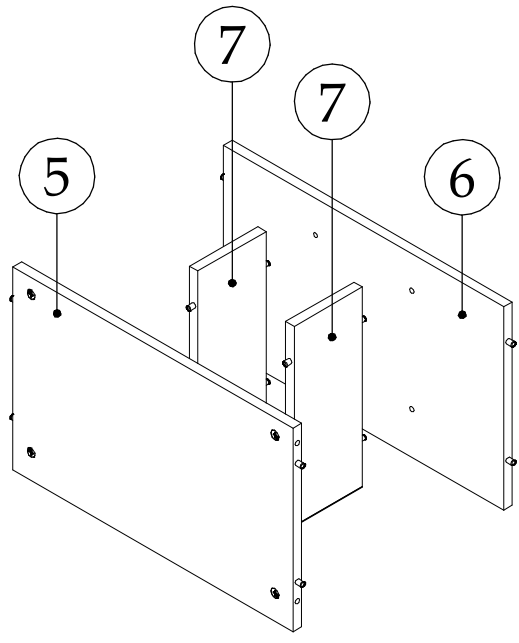
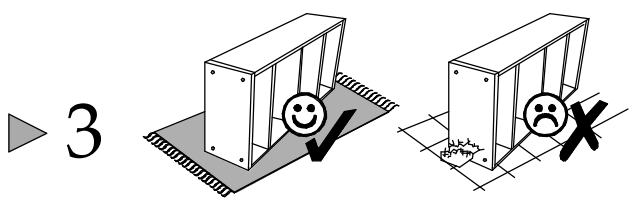
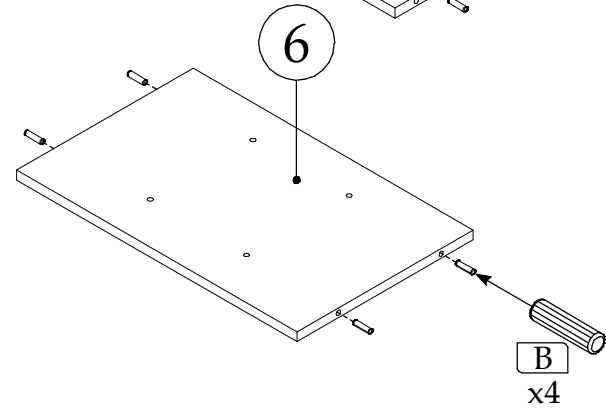
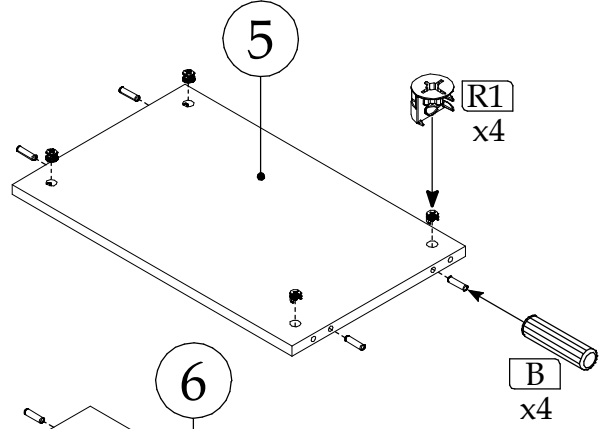
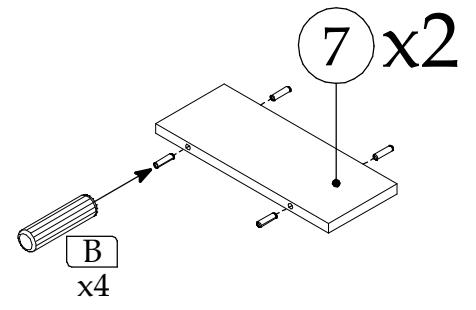
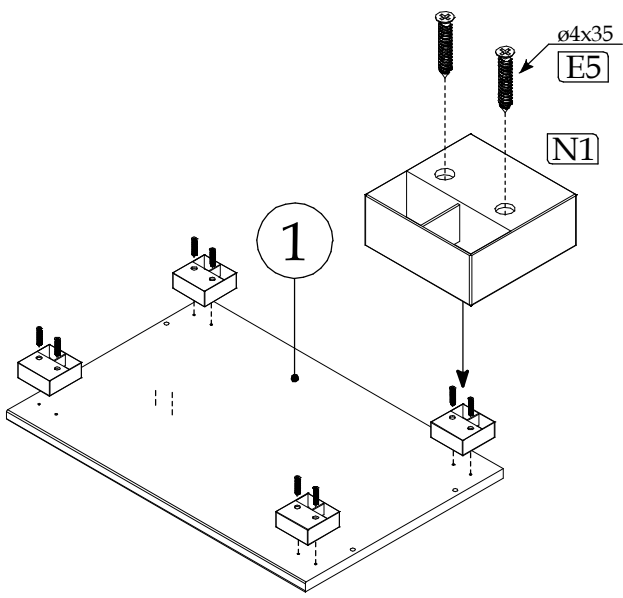
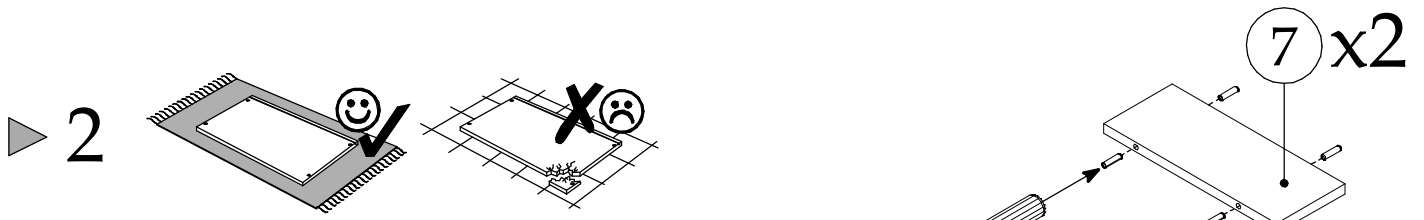
Element symbol	Measurements				Code	Paket
1	558	370	16	1	1002	1/1
2	558	370	16	1	1003	1/1
3	1963	367	16	1	1004	1/1
4	1963	367	16	1	1005	1/1
5	524	329.5	16	1	1031	1/1
6	524	329.5	16	1	1036	1/1
7	128	324	16	2	1048	1/1
8	524	304	16	2		1/1
9	540	160	16	2	1038	1/1
10	300	110	16	2	1039	1/1
11	466.5	110	16	2	1040	1/1
12	300	110	16	2	1041	1/1
13	480.5	296	3	2		1/1
14	1977	538	3	1		1/1

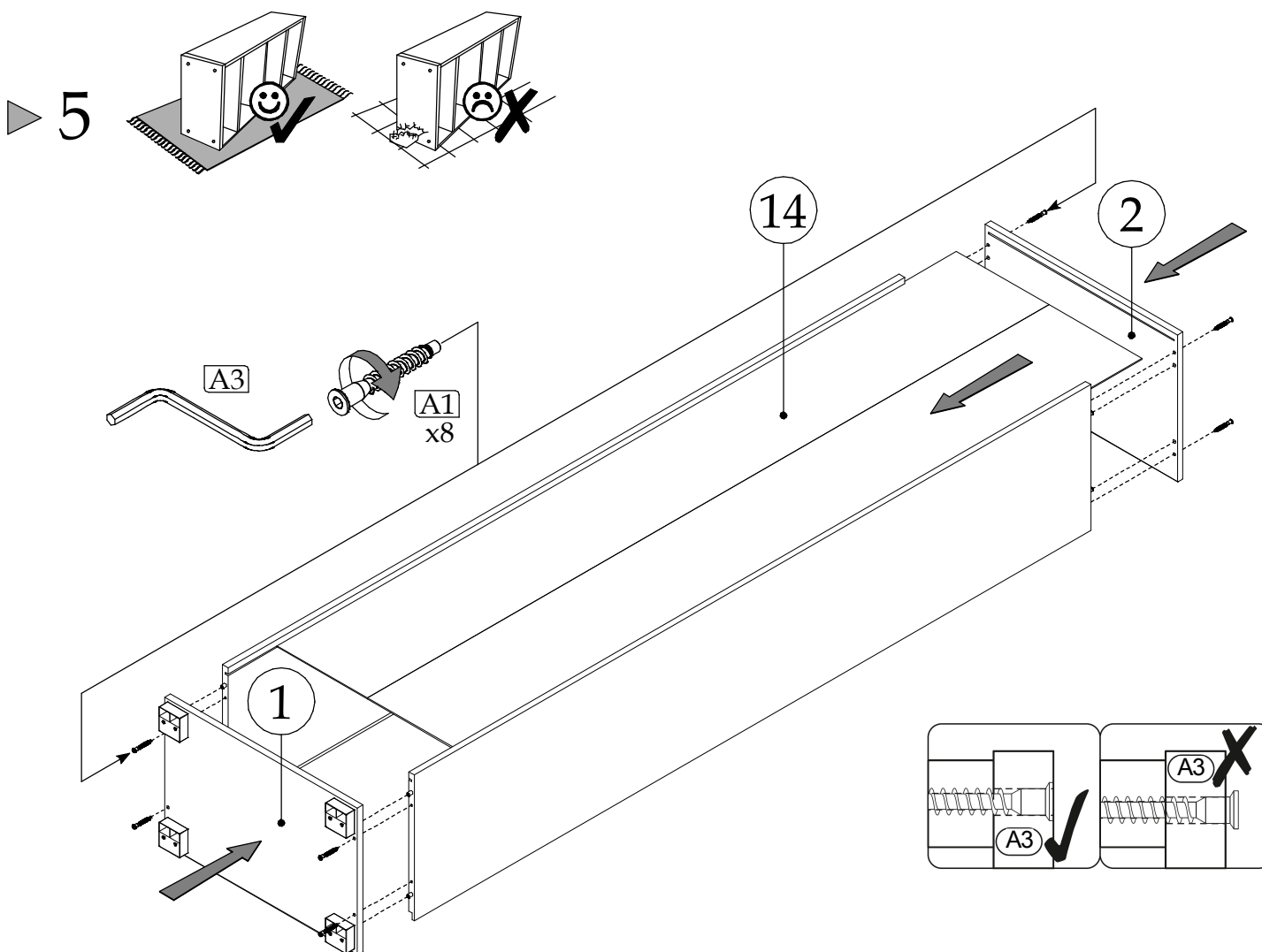
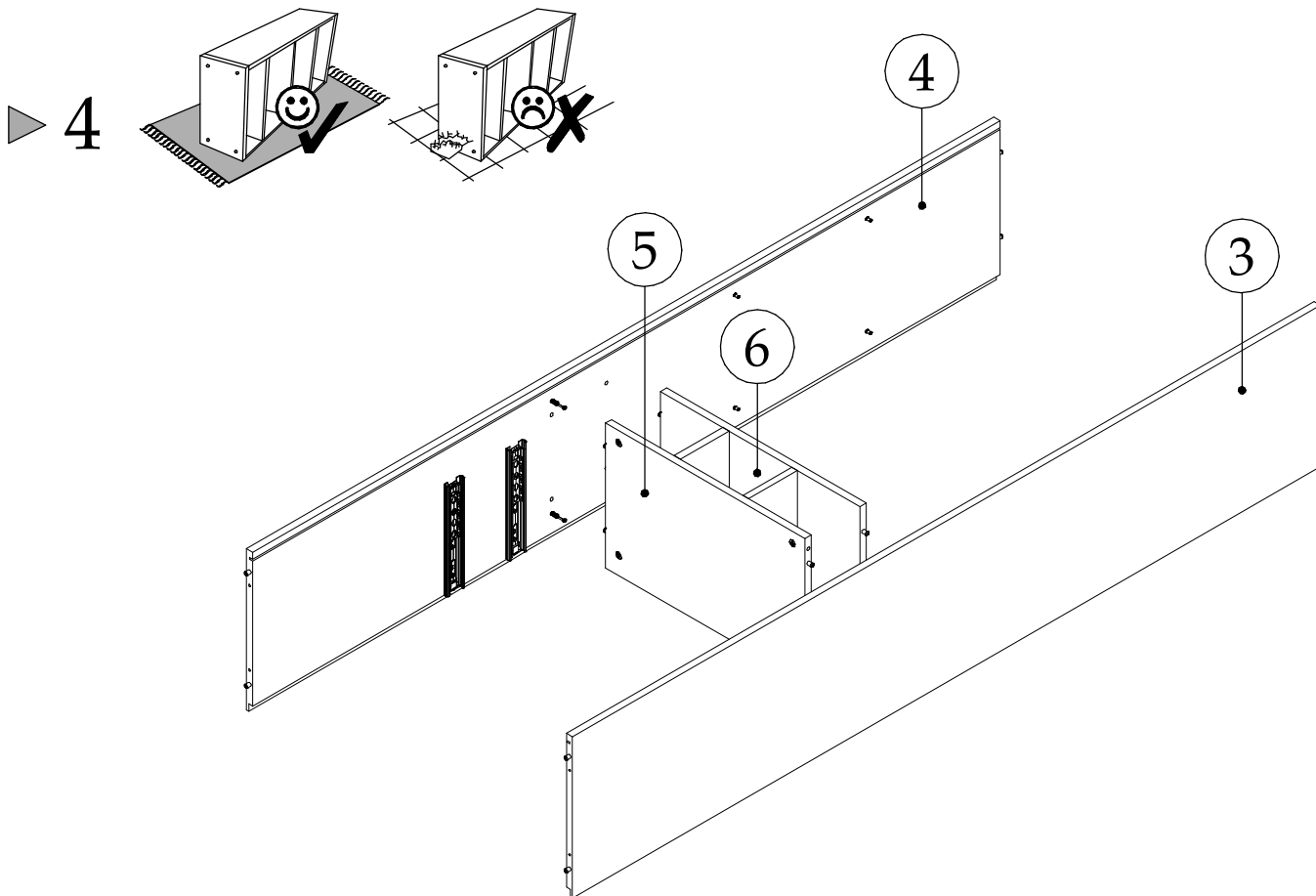


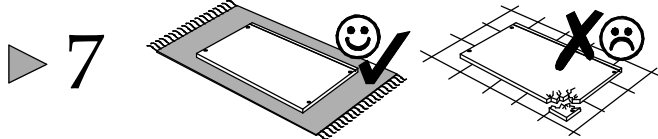
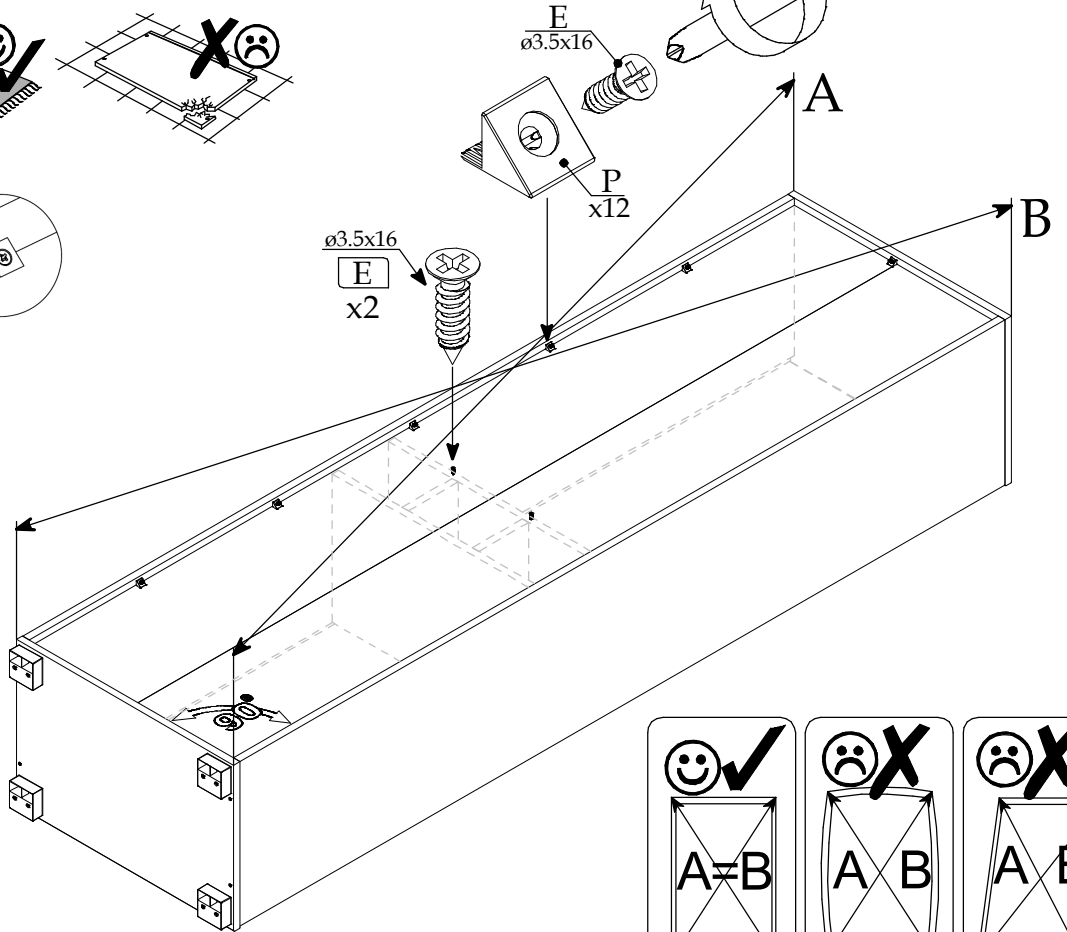
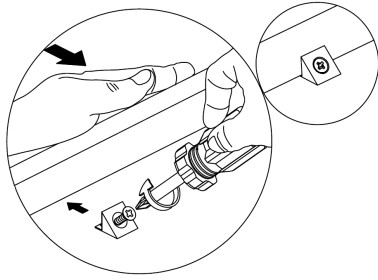
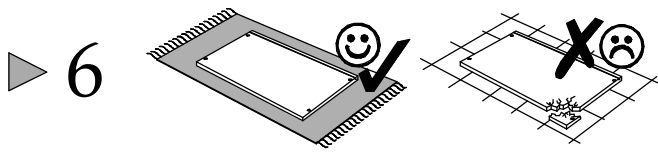


▶ 1

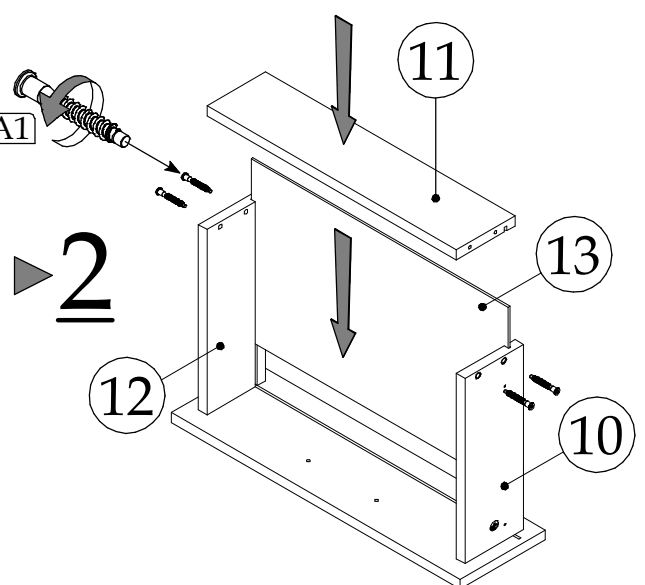
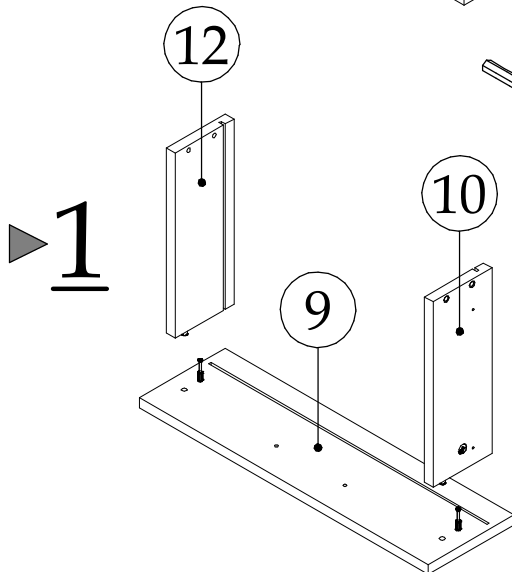
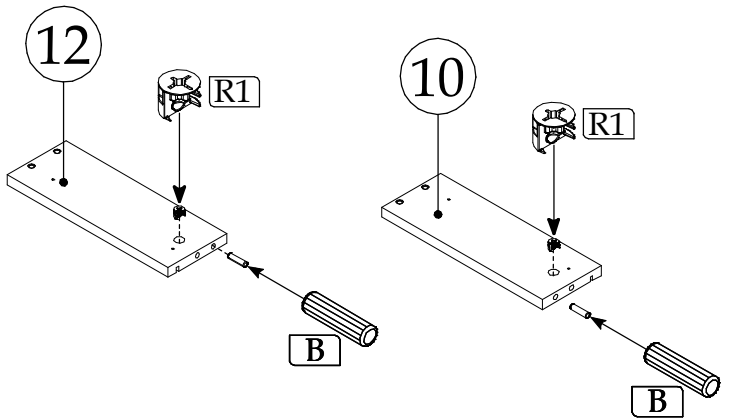
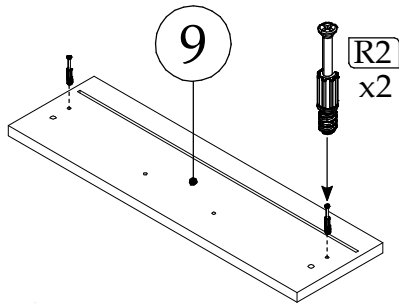


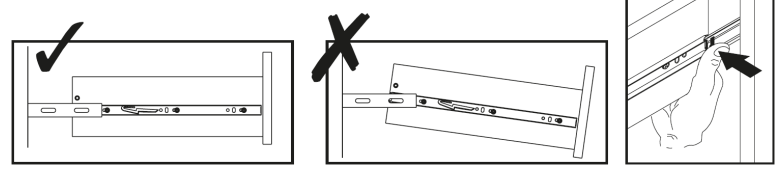
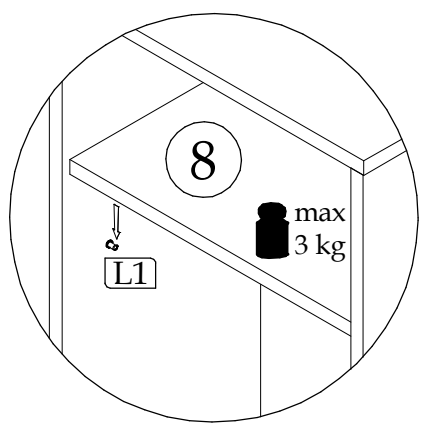
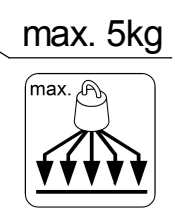
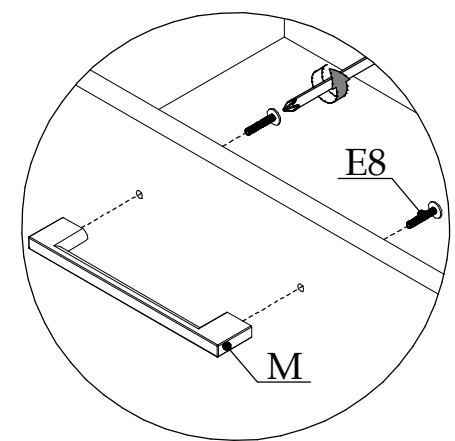
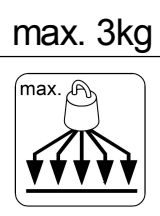
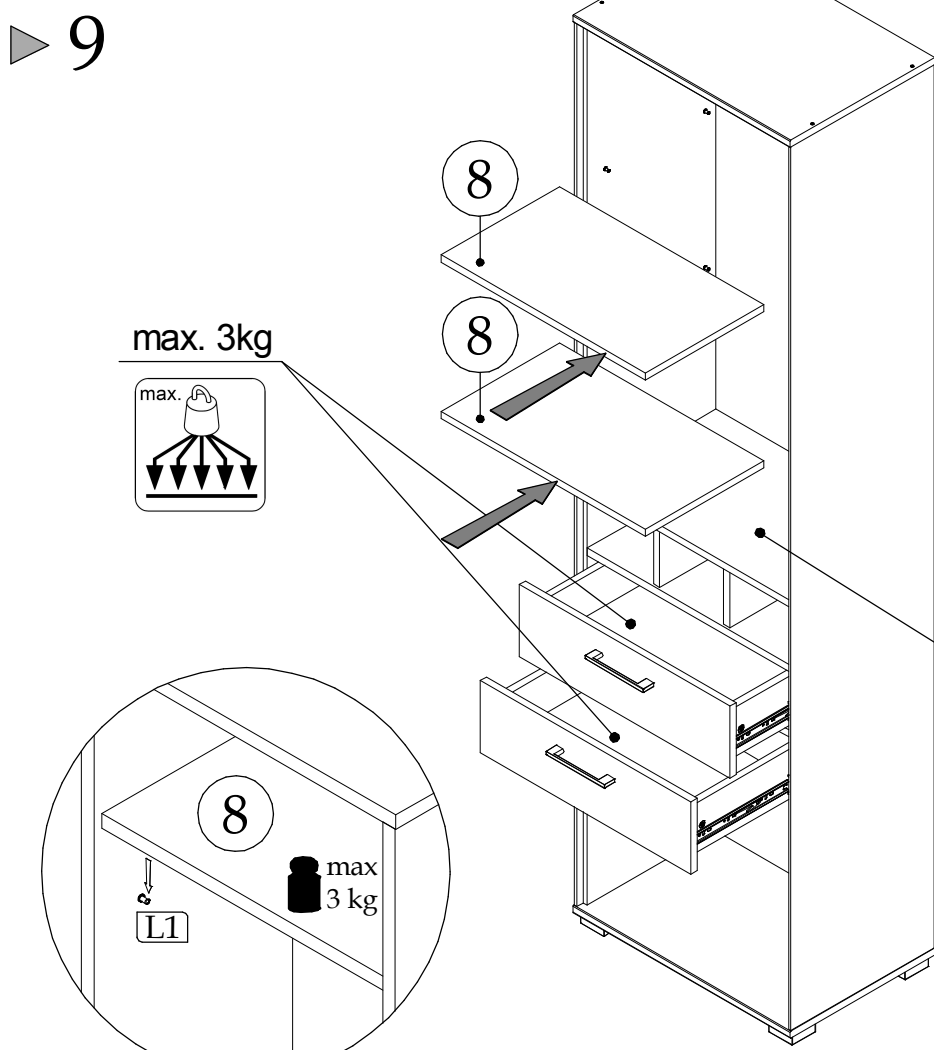
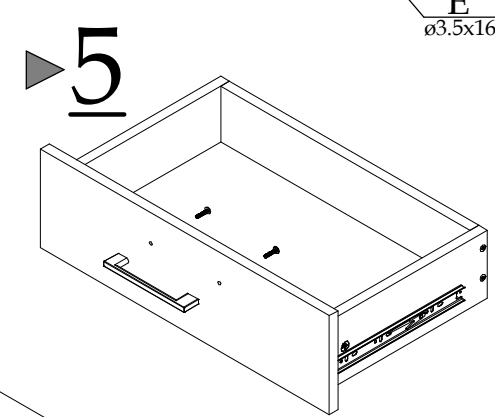
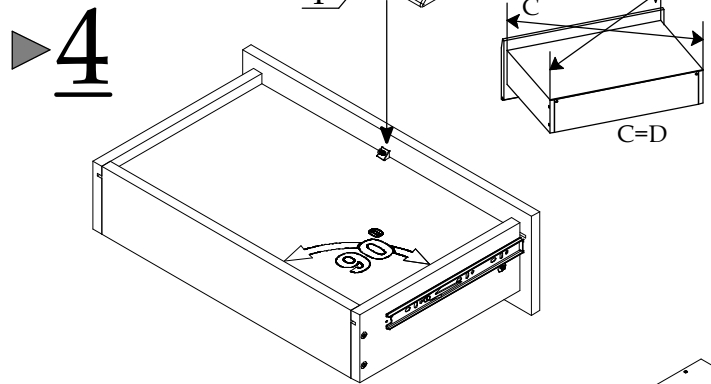
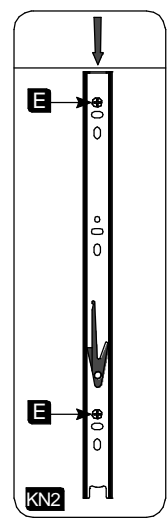
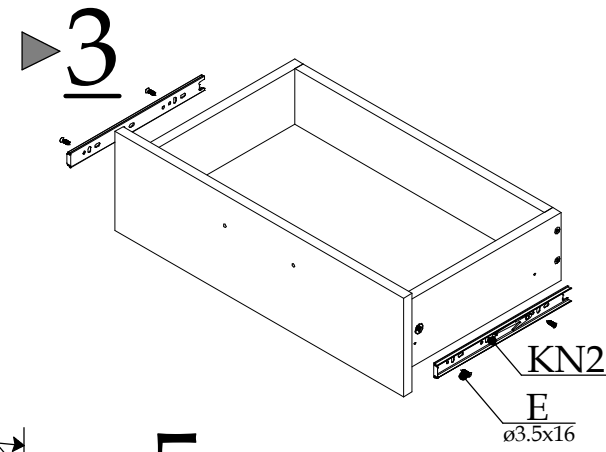
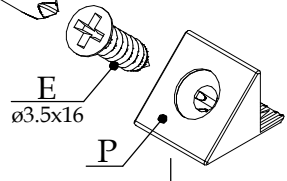
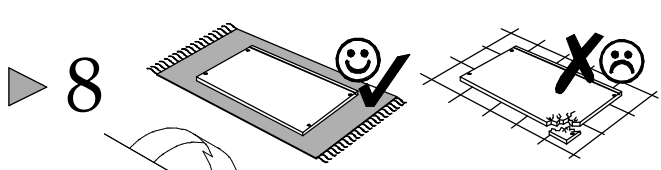






x2







▶ 10

